

4

3

2

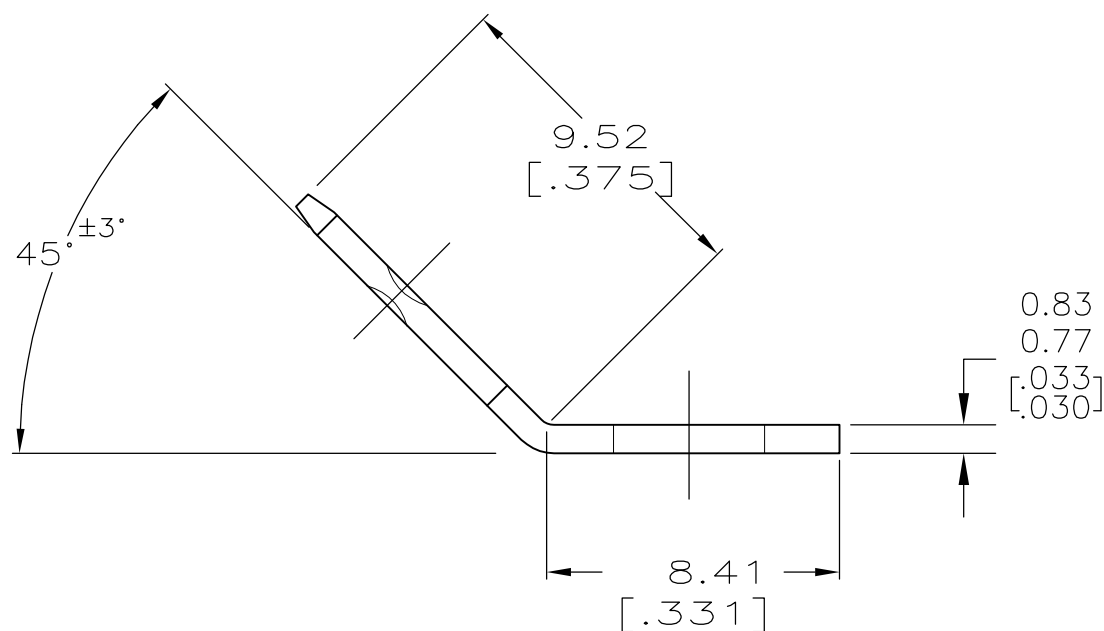
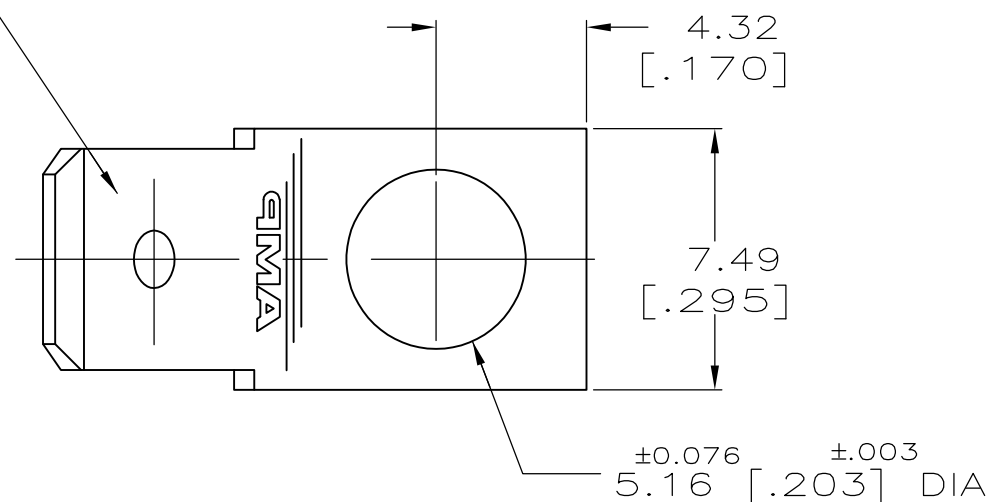
1

THIS DRAWING IS UNPUBLISHED. RELEASED FOR PUBLICATION -,-
 © COPYRIGHT - By - ALL RIGHTS RESERVED.

LOC	DIST	REVISIONS					
AF	50	P	LTR	DESCRIPTION	DATE	DWN	APVD
			D1	REVISED PER ECO-11-004917	11MAR11	RK	HMR

1. SUPPLIED IN LOOSE PIECE.

FITS 6.35 [.250] SERIES FASTON RECEPTACLE



61365-1
PART NO

THIS DRAWING IS A CONTROLLED DOCUMENT.		DWN	JR RUTH	11/12/91	 TE Connectivity	NAME		TAB, FASTON,™ 6.35 [.250] SERIES			
DIMENSIONS: mm[INCHES]		CHK	MS FEHER	11/12/91		APVD		C MEYERS		11/12/91	
		TOLERANCES UNLESS OTHERWISE SPECIFIED:		PRODUCT SPEC		APPLICATION SPEC		RESTRICTED TO			
MATERIAL		FINISH		WEIGHT		SIZE		CAGE CODE		DRAWING NO	
082 BRASS		TIN		-		A3		00779		C-61365	
METRIC		CUSTOMER DRAWING		SCALE		5:1		SHEET		1 OF 1	
1470-19 (3/11)										REV D1	